

APEXA® PRIME

Compact Powerhouse™

- Extremely Fast & Powerful Intel® Core™ 6th Generation Processor
 - Sleek and Compact Body with Small Footprint
 - Bezel-Free True-Flat PCAP Touch
- 15" or 19.5" Display with LED Backlight Delivering Bright and Crisp Images
 - Multiple I/O Interfaces for Peripherals
- Optional Powered USB for Peripherals Connection
 - Flexible Installation on a Counter or a Wall
 - Faster Installation and Serviceability
- Modern and Contemporary Styling for Interior Décor
- Engineered and Optimized for Hospitality and Retail Businesses

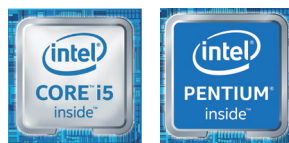


Features & Benefits



New Look. New Design

- Sleek and Compact. Small Footprint
- Modern and Contemporary Styling



Extremely Powerful Performer

- Intel® Core™ i5-6200U Processor
- Intel® Pentium® Processor 4405U



Superior Touch Display

- Bezel-Free True-Flat 15" or 19.5" LED LCD Display
- PCAP Touch Activated with Fingers and Gloves



Install It Anywhere

- On a Counter or a Wall
- VESA Compatible (Option)



Save Time and Cost

- Easy Access to I/O Interfaces
- Faster Installation and Serviceability



Connect It to All

- Multiple I/O Interfaces
- 6 USB, 5 Serial. Optional Powered USB

Specifications

General Specifications	
System	
Processor	Intel® Core™ i5-6200U Processor (3M Cache, 2.80 GHz) Intel® Pentium® Processor 4405U (2M Cache, 2.10 GHz)
Chipset	ITE Tech IT8786E
Memory	4GB Standard, DDR4L 2133 MT/s, Socket 1 x SODIMM (Max. 16GB)
Storage	SATA 3 (6Gb/s) 2.5 inch SSD 64GB, Support AHCI
OS	Windows 7, Windows 8.1, Windows 10, POS Ready 7
Audio	Realtek ALC662-VD
Display	
Type	15" TFT LED Backlight 19.5" TFT LED Backlight
Resolution	15" 1024 x 768 19.5" 1600 x 900
Brightness	15" 300 cd/m ² (typ.) 19.5" 250 cd/m ² (typ.)
Touchscreen	Projective Capacitive Touch
Interface	
Display	1 x VGA (With Power Output)
USB	6 (Rear 2, Back 4, USB 3.0 x 2, USB 2.0 x 4) 3 (Reserved for MSR, SCR, i-Button/Touch Controller/Camera), RJ-45
Serial	(COM1 with 5V/12V Power Output on 9 Pins, BIOS) (COM2-3 RJ-45, Full Signal) 5 (COM5 Reserved for Cash Drawer Port) (COM4 RJ-11, Only TX/RX, 12V Power Output, Reserved for CDP) (COM6 RJ-45, Only TX/RX, 5V Power Output, Reserved for MSR)
LAN	1 x Gigabit Ethernet, RJ-45
Audio	1 x Line-out
Power DC-IN	1 x (3 Pin Connector)
Extension Slot	mini PCIe, m-SATA

Power	
Power Supply	Adaptor 24V, 4A
Physical & Environmental	
Operating Temperature	0°C ~ 60°C at 10% to 90% Humidity
Storage Temperature	-20°C ~ 80°C at 10% to 90% Humidity
Dimensions (W x H x D)	15" 364 x 333 x 210(mm), 14.3 x 13.1 x 8.2(in) 19.5" 490 x 337 x 210(mm), 19.3 x 13.3 x 8.2(in)
Packing Dimensions (W x H x D)	15" 500 x 470 x 300(mm), 19.6 x 18.5 x 11.8(in) 19.5" 630 x 470 x 300(mm), 24.8 x 18.5 x 11.8(in)
Net Weight	15" 5,300g, 11.6lbs 19.5" TBD
Packing Weight	15" 8,000g, 17.6lbs 19.5" TBD
Certification	CE, FCC, KC, CB, CCC
Color	Matt Dark Grey, High Gloss White
Options & Peripherals	
2nd Display	9.7", 12.1", 15" LCD Display, 1024 x 768, Optional Touchscreen
Customer Display	VFD, 20 Columns x 2 Lines 1 x COM5 (RJ-45 8 Pins) (Factory Option)
I/O Expansion	1 x Cash Drawer Port (Factory Option) 1 x Powered USB (24V)
Storage	2.5 inch SSD 128GB, HDD 500GB, 1TB
Magnetic Stripe Reader	Comply with ISO 7811, Support 1 & 2 & 3 Track
Smart Card Reader	EMV Level 1, 2
Dallas	Dallas i-button Reader
Fingerprint	Yes
Camera	5M USB Interface (Internal) (Factory Option)
Wall Mount Kit	VESA-Compatible, 75 x 75(mm), 100 x 100(mm)
Serial Conversion Cable	RJ-45 to D-sub 9
Speaker	2 x 0.8W (Stereo)
WiFi	Mini PCIe for Wireless LAN

*Other mounting options available upon request. *Specifications may change without prior notice.

Peripheral Options



Customer Display

- VFD (2 Lines x 20 Characters)



2nd Display

- 9.7", 12.1", 15" LCD



Multi-Reader

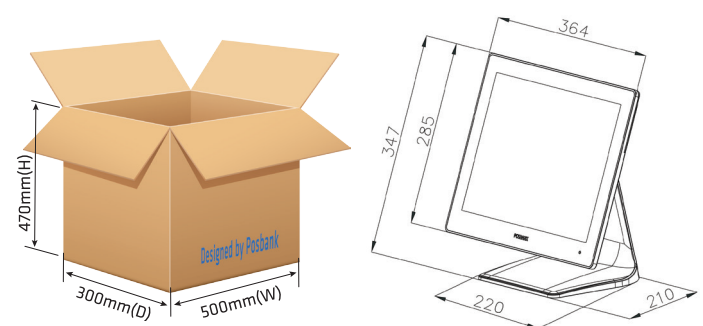
- MSR, SCR



POS Printers

- A7, A11

Dimension View



POSBANK®

Headquarters

#805~808, 108, Gasan digital 2-ro,
Geumcheon-gu, Seoul, 08506, South Korea
Tel : +82-2-2626-9118
Fax : +82-2-2626-9119
e-mail : sales@posbank.com
www.posbank.com

US

California : 1230 East 223rd Street, Suite #204
Carson, CA 90745
New York : 75 Fairchild Ave. Plainview
New York 11803
Tel : +1-888-998-1767 ext. 103~104
Fax : +1-310-513-1362
e-mail : sales@posbankusa.com
www.posbankusa.com

Europe

Via Piersanti Mattarella, 32, 30030, Gardigiano,
Venezia, Italy
Tel : +39-041-583-0594
Fax : +39-041-583-0595
e-mail : sales@posbank.eu
www.posbank.eu

Copyright © 2017 Posbank Co., Ltd.

Posbank and the Posbank logo are trademarks of Posbank in the United States and other countries. All trademarks are the property of their respective owners. Intel, Celeron, Core are registered trademarks of Intel Corporation in the U.S. and other countries. Microsoft, Windows 7, Windows 8.1, Windows 10 and POS Ready 7 are registered trademarks of Microsoft Corporation in the U.S. and other countries. Posbank shall not be liable for technical or editorial errors or omission contained herein. The information in this publication are informational purposes only and may be altered or amended by Posbank. All statements regarding Posbank's direction and intent are subject to change or withdraw without notice. Specifications may change without prior notice.